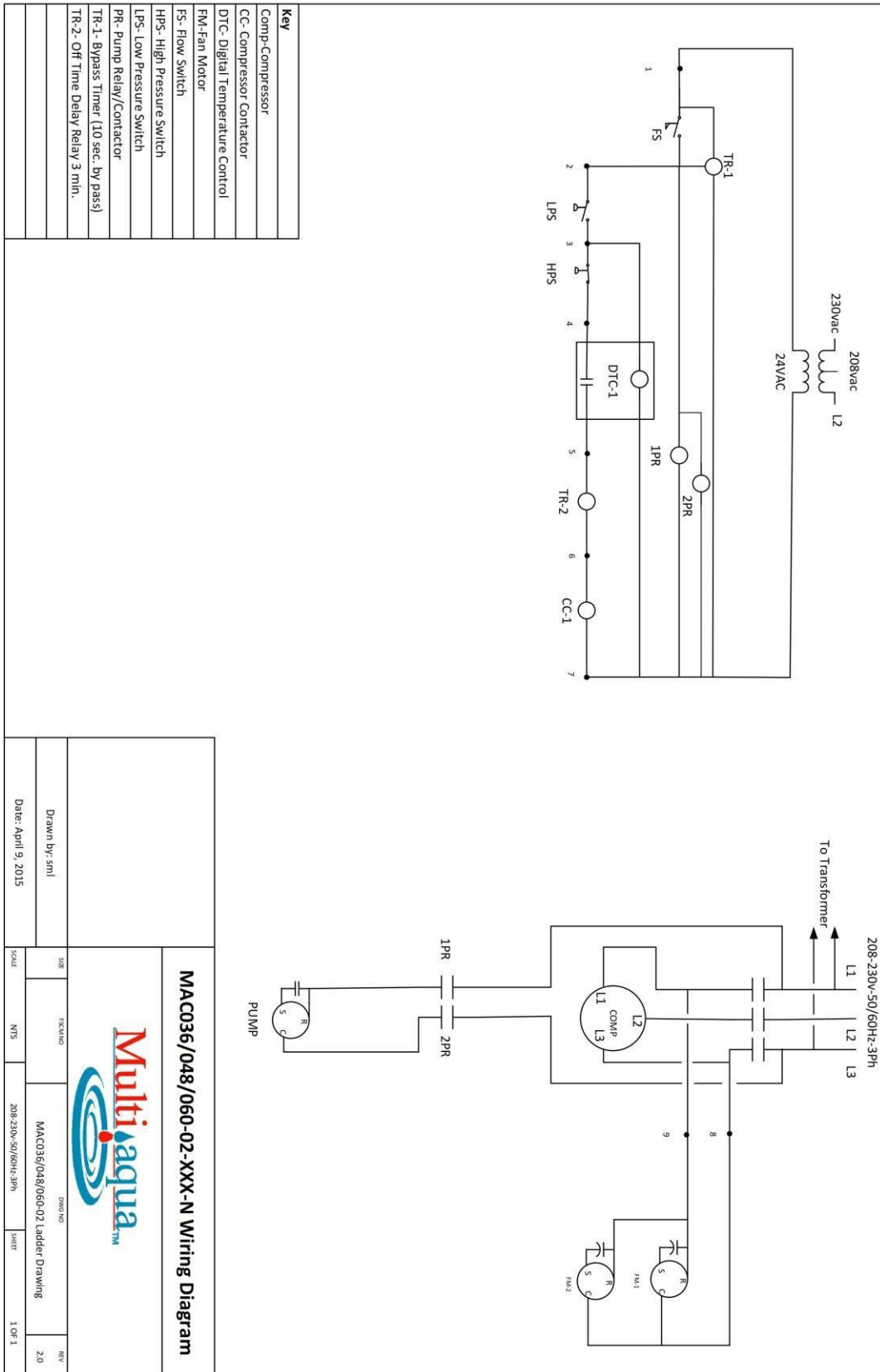
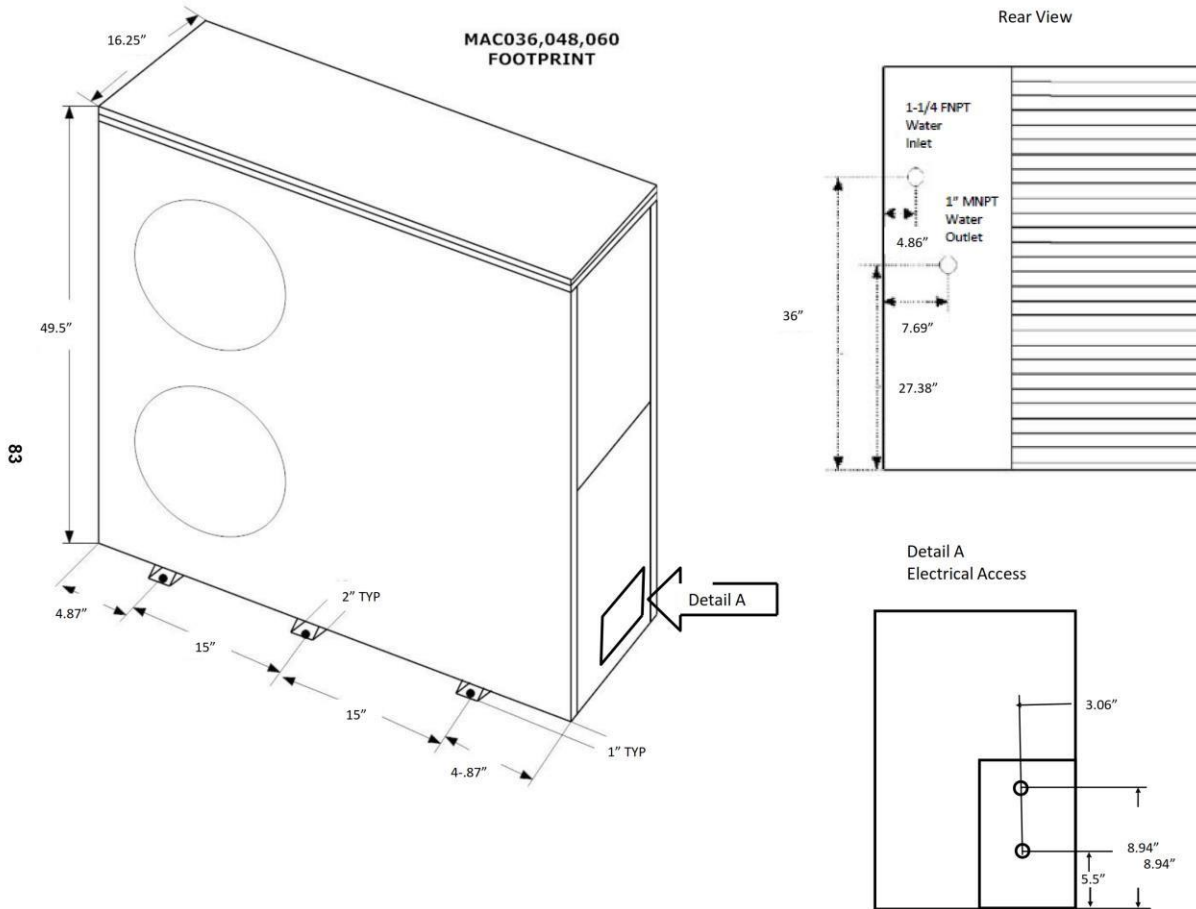


# MAC048-02-N Wiring Diagram



These specifications are subject to change without notice.  
 Check [www.multiaqua.com](http://www.multiaqua.com) for the latest information.

# MAC048-02-N Dimensional Drawing



**MAC036, 048, 060 CERTIFIED DRAWING**

Revised 3/13/13 SL

**Multiaqua Inc.**  
 306 Hagood Street  
 Easley, SC 29640  
 Ph: 864-850-8990  
 Fax: 864-850-8995  
[www.multiaqua.com](http://www.multiaqua.com)

For Technical Assistance:  
 1-855-THNK-WTR (1-855-846-5987)

*These specifications are subject to change without notice.  
 Check [www.multiaqua.com](http://www.multiaqua.com) for the latest information.*